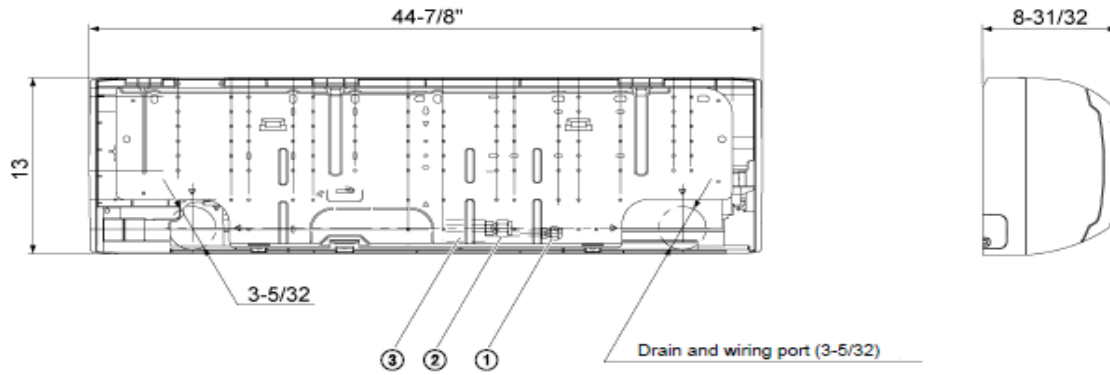


Dimensional Data for 26KH72R

Dimension : inch

1911_X_3

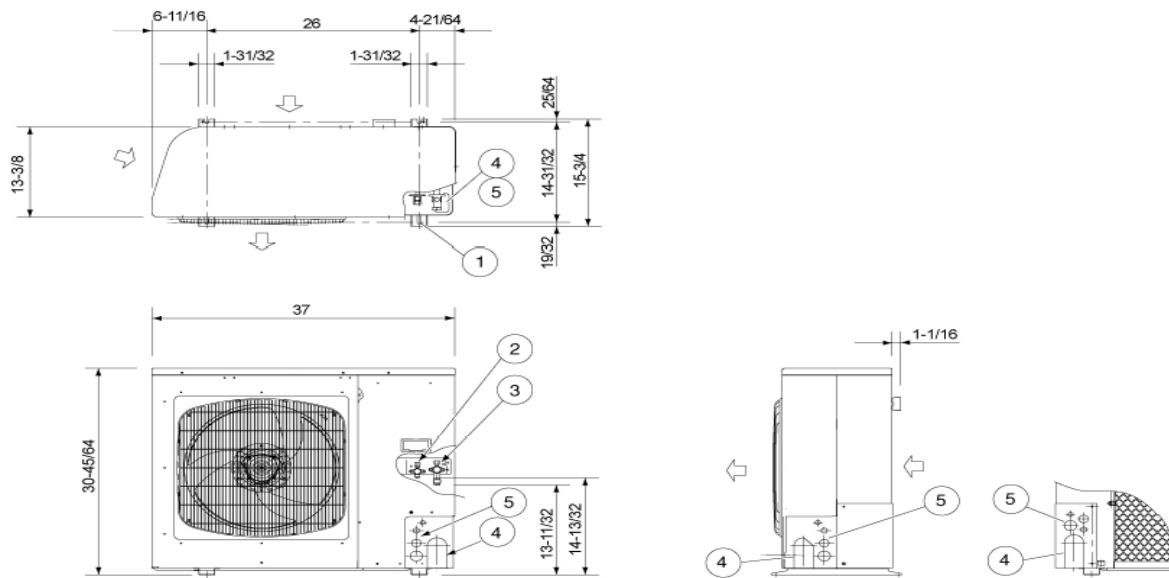
Indoor unit : Wall Mounted Type KH2672R



- ① Refrigerant liquid line (3/8") Flare connection
- ② Refrigerant gas line (5/8") Flare connection
- ③ Drain hose OD 45/64

Dimension : inch

(B) Outdoor Unit: CH2672R, C2672R CH3072R, C3072R CH3672R, C3672R



Dimension: inch

①	Hole for anchor bolt (4-R6.5) / Anchor bolt: M10
②	Refrigerant tube joint (liquid line tube) • Flare connection 3/8 in (9.52 mm)
③	Refrigerant tube joint (gas line tube) • Flare connection 5/8 in (15.88 mm)
④	Refrigerant tubing inlet (knock-out hole)
⑤	Power supply inlet (knock-out hole φ38, φ29, φ19, φ16 mm)